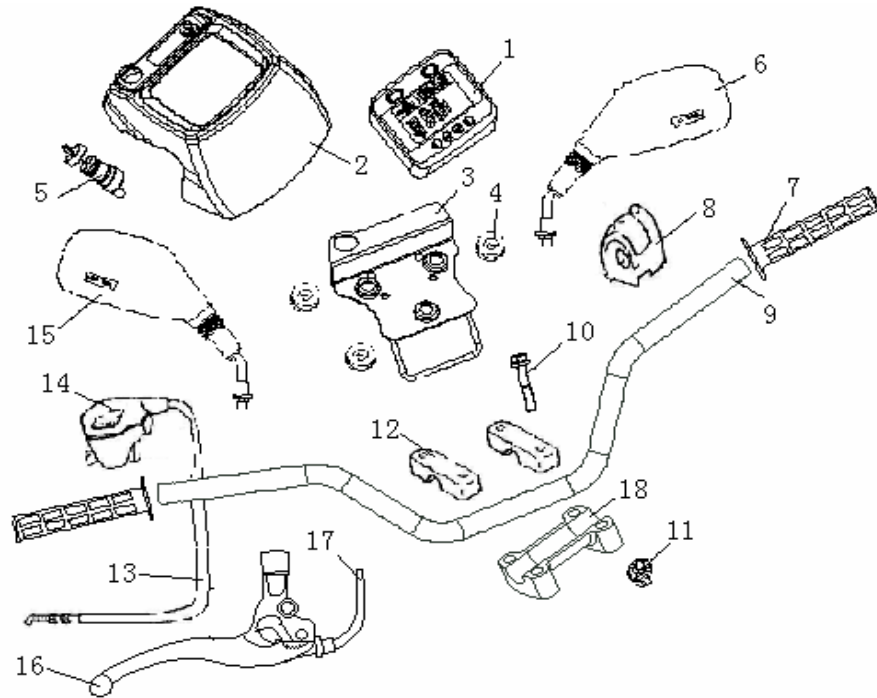
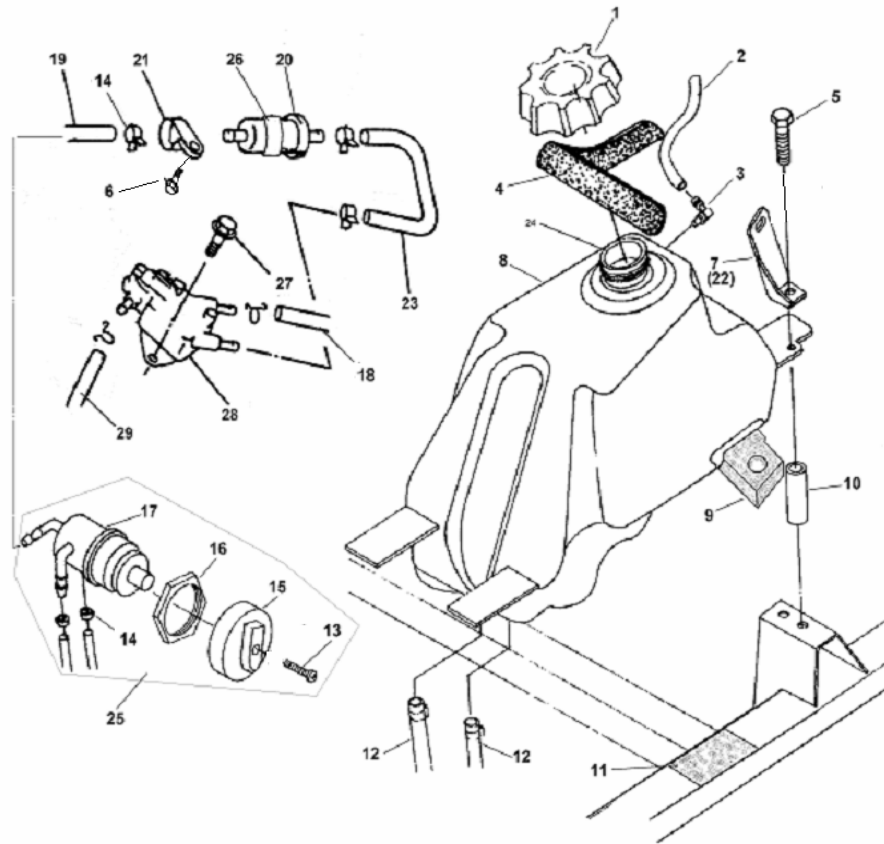


# 1 HANDLEBAR



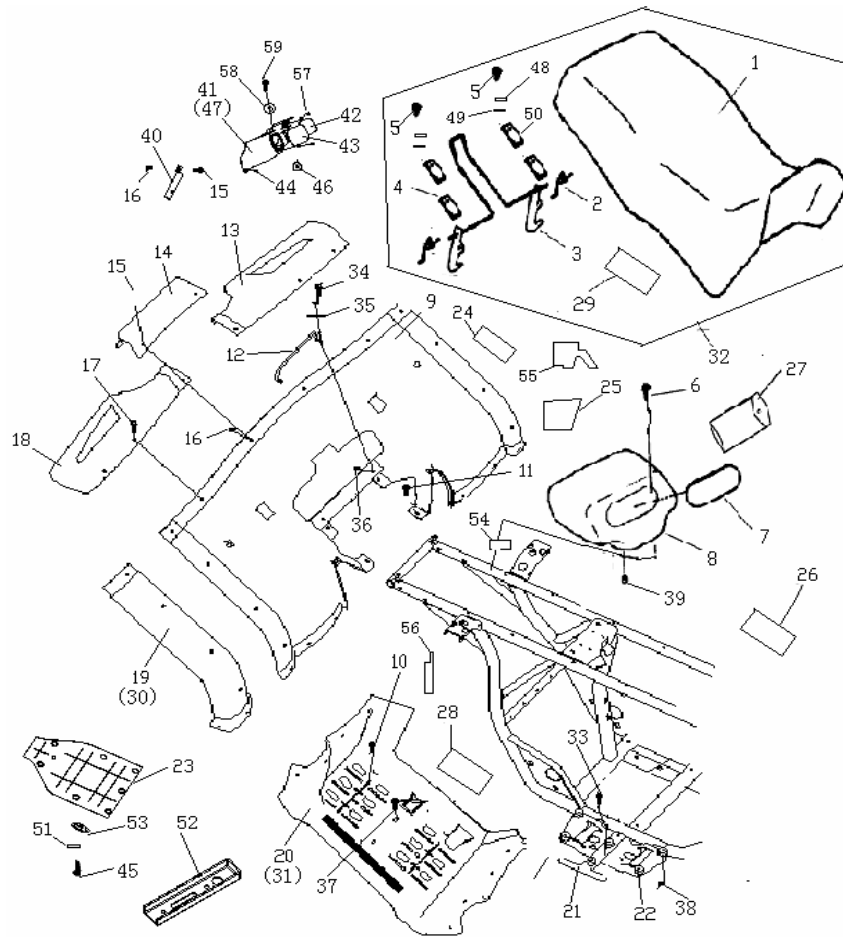
REF. No.	PART No.	DESCRIPTION
1	51010010	SPEEDOMETER
2	61010010	INSTRUMENT HOUSING
3	14010010	WARNING LIGHT BRACKET
4	61010020	RUBBER BUSH
5	53010010	IGNITION SWITCH WITH KEY
6	63010010	REAR VIEW MIRROR LEFT
7	44010010	GRIP
8	53010021	SWITCH ASSY
9	44010020	HANDLEBAR
10	O0100130	BOLT M8X60
11	O0300130	NUT M8
12	44010030	HANDLEBAR CLAMP TOP
13	45010010	THROTTLE CABLE
14	44010040	THROTTLE CONTROL
15	63010020	REAR VIEW MIRROR RIGHT
16	43010010	PARKING HANDLE
17	45010020	PARKING LINE
18	44010050	HANDLEBAR CLAMP BOTTOM

## 2 FUEL TANK



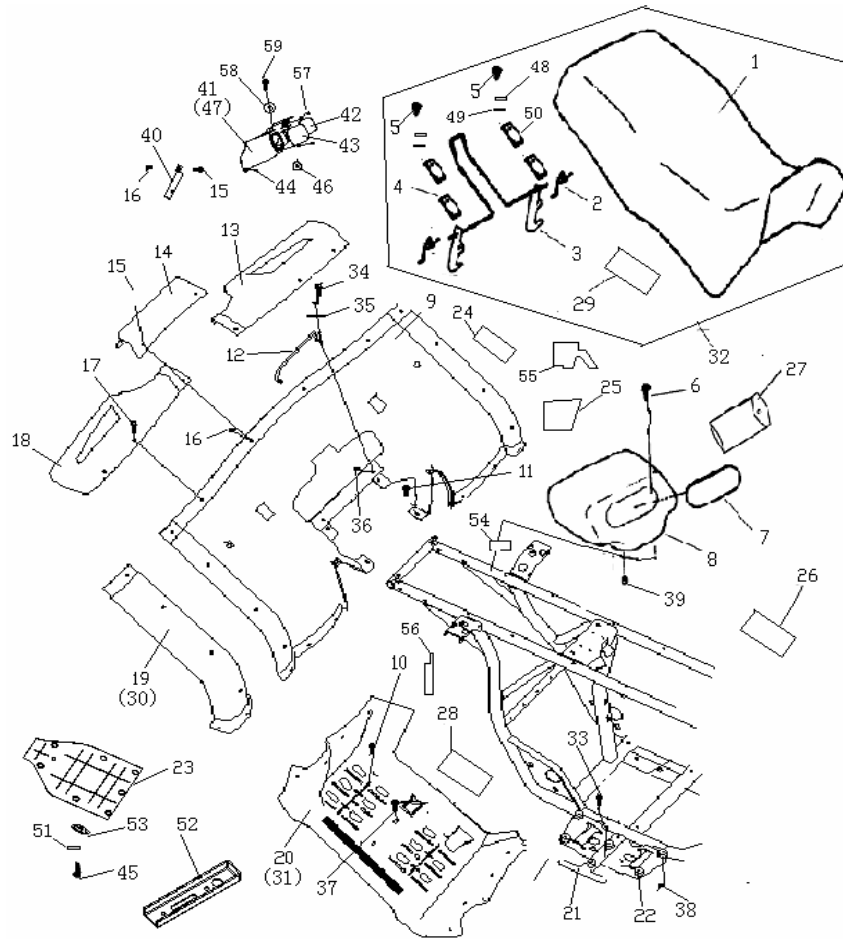
REF. No.	PART NO.	DESCRIPTION
1	25010010	FUEL CAP
2	25010020	VENT TUBE
3	25010030	VENT FITTING
4	25010040	FOAM GASKET
5	O0100230	BOLT M6X60
6	O0100330	BOLTM6X12
7	25010050	MOUNTING BRACKET LEFT
8	25010060	FUEL TANK
9	25010070	FOAM PAD
10	25010080	SPACER
11	25010090	MOUNTING PAD
12	25010100	FUEL HOSE
13	O0200130	SCREW M4x10
14	25010120	HOSE CLAMP 1
15	25011110	FUEL CONTROL KNOB
16	25011120	NUT
17	25011130	FUEL VALVE
18	25010220	PIPE
19	25010130	FUEL LINE 2
20	25010140	FUEL FILTER
21	25010150	CLAMP
22	25010160	MOUNTING BRACKET RIGHT
23	25010170	FUEL LINE 1
24	25010180	FUEL CAP WASHER
25	25011100	FUEL VALVE ASSY
26	25010190	FUEL FILTER PAD
27	O0100330	BOLT M6X12
28	25010200	FUEL PUMP ASSY
29	25010210	FUEL LINE 3

### 3 REAR FENDERS



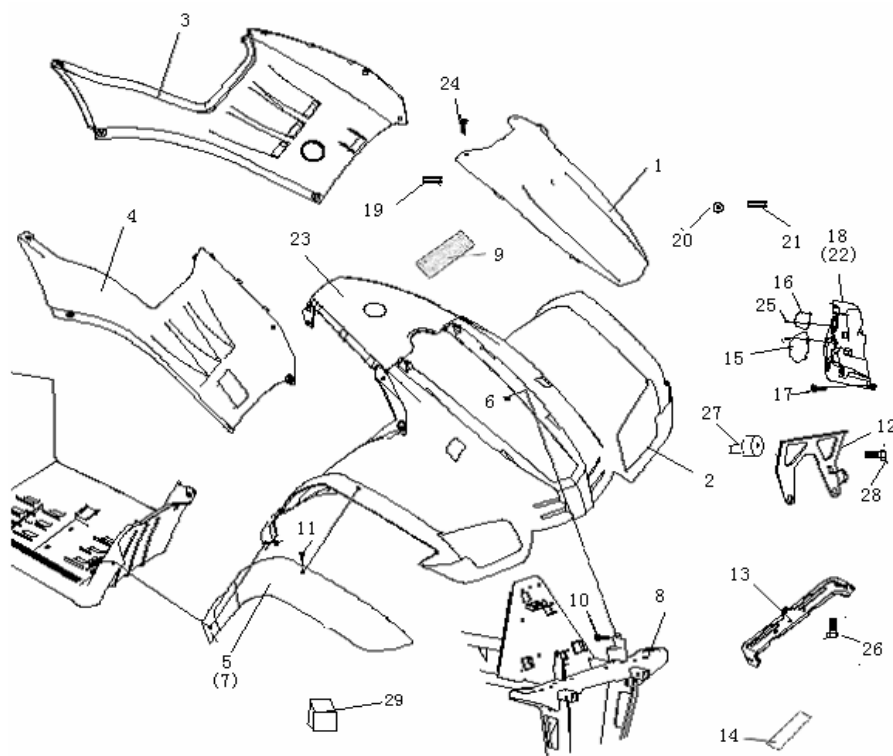
REF. No.	PART No.	DESCRIPTION
1	62010010	SEAT
2	62010020	SPRING
3	62010030	LATCH ASSEMBLY
4	62010040	RETAINER CLIP
5	O0100430	BOLT M6X15
6	O0100530	BOLT M6X30
7	61010030	STORAGE BOX COVER
8	61010040	STORAGE BOX
9	6101005001	REAR FENDERS(BU)
	6101005002	REAR FENDERS9(GB)
	6101005003	REAR FENDERS(RE)
	6101005004	REAR FENDERS(GR)
	6101005005	REAR FENDERS(BK)
10	O0100530	BOLT M6X30
11	O0100330	BOLT M6X12
12	62010050	LATCH BRACKET
13	61010060	BOARD,REAR LIGHT, L.
14	61010070	BOARD REAR CONNECT
15	81010010	BOLT M6X20
16	O0300230	NUT M6
17	81010020	SCREW
18	61010080	BOARD,REAR LIGHT, R.
19	61010090	REAR MUD GUARD RIGHT
20	61010100	FOOTREST RIGHT
21	15010010	FOOTREST Bracket
22	82010010	RUBBER PAD
23	61010110	PLASTIC PLATE
24	61010120	HEAT INSULATION THECA E
25	61010130	HEAT INSULATION THECA F
26	61010140	BATTERY MOUNTING PAD
27	74010010	TOOL
28	61010150	HEAT INSULATION THECA D
29	61010160	SEAT ADIABATIC PELLICIE

### 3 REAR FENDERS



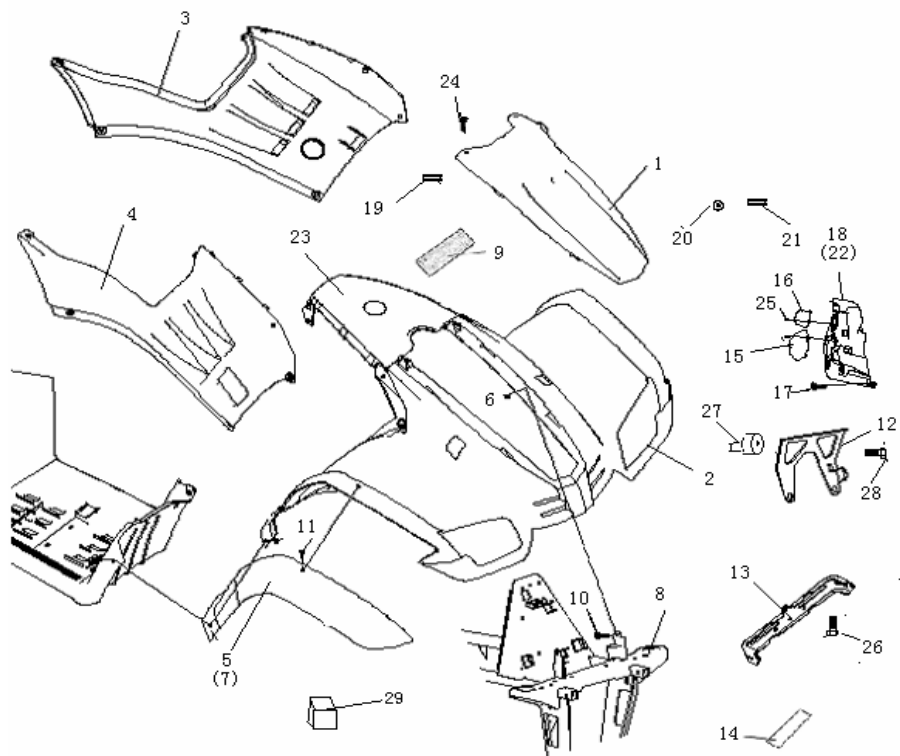
REF. No.	PART NO.	DESCRIPTION
30	61010170	REAR MUD GUARD LEFT
31	61010180	FOOTREST LEFT
32	61010000	SEAT ASSY
33	O0100430	BOLT M6X15
34	O0200230	BOLT M5X15
35	O00400210	WASHER 5
36	O0300430	NUT M5
37	O0100630	BOLT M6X20
38	O0300330	NUT M6
39	61010190	PULG
40	61010200	REAR STRENGTHEN PLANK
41	61010210	TAILLIGHT COVER,L
42	61010220	SMALL TAILLIGHT CUP
43	61010230	BIG TAILLIGHT CUP
44	O0201030	BOLT ST4.8X12
45	O0100430	BOLT M6X15
46	61010020	RUBBER BUSH
47	61010240	TAILLIGHT COVER,R
48	O0400610	WASHER 6
49	O0400110	WASHER 6
50	64010010	FICHE
51	O0400610	WASHER 6
52	15000205	ANTISKID
53	88010010	WASHER
54	26010010	AIR CLEANER AMORTIZE
55	61010270	HEAT INSULATION THECA B
56	61010280	HEAT INSULATION THECA C
57	O0200930	BOLT ST4.2X12
58	O0400210	WASHER 5
59	O0200630	BOLT M5X12

## 4 FRONT BODY □ FRAM



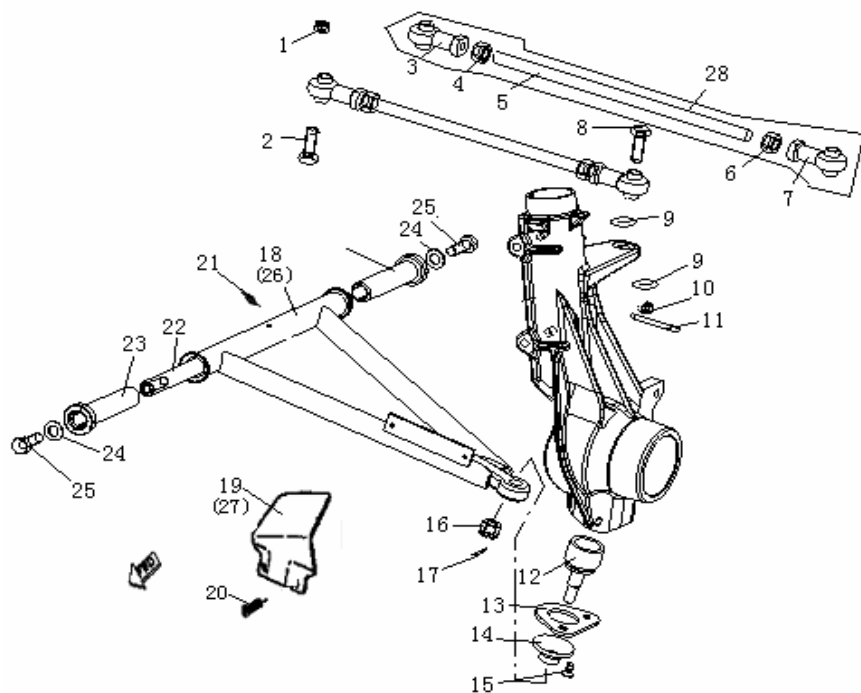
REF. No.	PART NO.	DESCRIPTION
1	61010290	FRONT COVER
2	6101030001	FRONT BODY □ BU □
	6101030002	FRONT BODY □ GB □
	6101030003	FRONT BODY □ RE □
	6101030004	FRONT BODY □ GR □
	6101030005	FRONT BODY □ BK □
3	61010310	SIDE COVER LEFT
4	61010320	SIDE COVER RIGHT
5	61010330	MUD GUARD RIGHT
6	O0300230	NUT M6
7	61010340	mud GUARD LEFT
8	11010010	FRAME COMP
9	61010350	FRONT BODY FORM
10	81010010	BOLT M6X20
11	81010020	SCREW
12	27010010	UP BRACKET RADIATOR
13	27010020	DOWN BRACKET RADIATOR
14	27010030	SPACER RUBBER
15	61010370	BIG FRONT LIGHT CUP
16	61010380	SMALL FRONT LIGHT CUP
17	O0201030	BOLT ST4.8X12
18	61010390	FRONT LIGHT COVER,L
19	64010010	FICHE
20	61010020	RUBBER BUSH
21	61010400	CUSHION

## 4 FRONT BODY □ FRAM



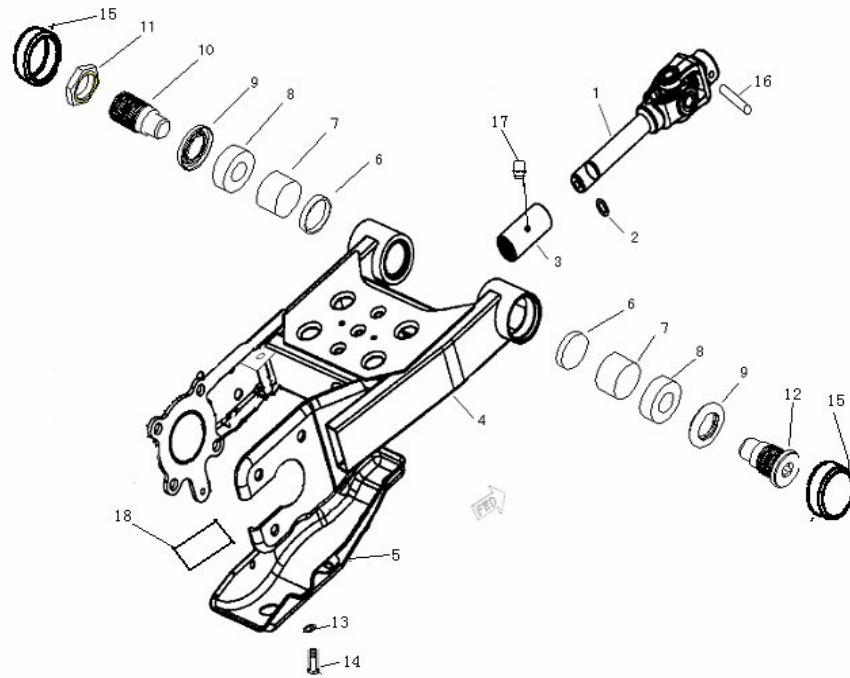
REF. No.	PART NO.	DESCRIPTION
22	61010410	FRONT LIGHT COVER,R
23	61010420	PLATE TANK
24	O0201130	BOLT ST4.2X16
25	O0200930	BOLTST4.2X12
26	O0100630	BOLT M6X20
27	82010010	RUBBER PAD
28	O0103230	BOLT M6X10
29	61010430	PLUNG

## 5 A-ARM



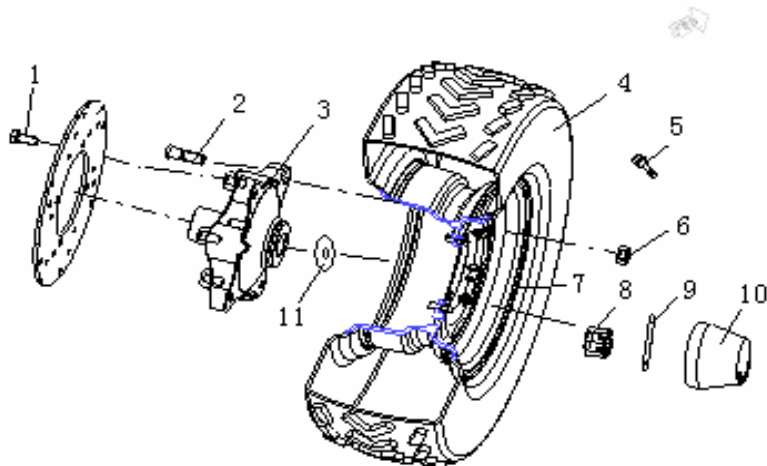
REF. No.	PART No.	DESCRIPTION
1	O0300530	NUT M10X1.25
2	O0102730	BOLT M10X1.25X55
3	31011010	TIE ROD END A
4	O0301330	JAM NUT(RIGHT)
5	31011020	TIE ROD
6	82010020	JAM NUT(LEFT)
7	31011040	TIE ROD END B
8	O0103230	BOLT M10X1.25X55
9	O0400410	WASHER
10	O0301030	NUT M10X1.25
11	O0800100	COTTER PIN
12	42011010	BALL JOINT STUD
13	42011020	BALL JOINT MOUNTING BRACKET
14	42011030	BALL JOINT CUP
15	O0200830	BOLT M6X15
16	O0301030	NUT M10X1.25
17	O0800100	COTTER PIN
18	13011010	A-ARM LEFT
19	61010440	A - ARM SHIELD LEFT
20	O0200630	SCREW M5X12
21	46010040	GREASE FITTING
22	13011020	A-ARM PIVOT SHAFT
23	13011030	BUSHING
24	O0400810	WASHER 10
25	81010030	BOLT M10X30
26	13011050	A-ARM RIGHT
27	61010450	A - ARM SHIELD RIGHT
28	31011050	TIE ROD ASSY

## 6 SWINGARM ASSY



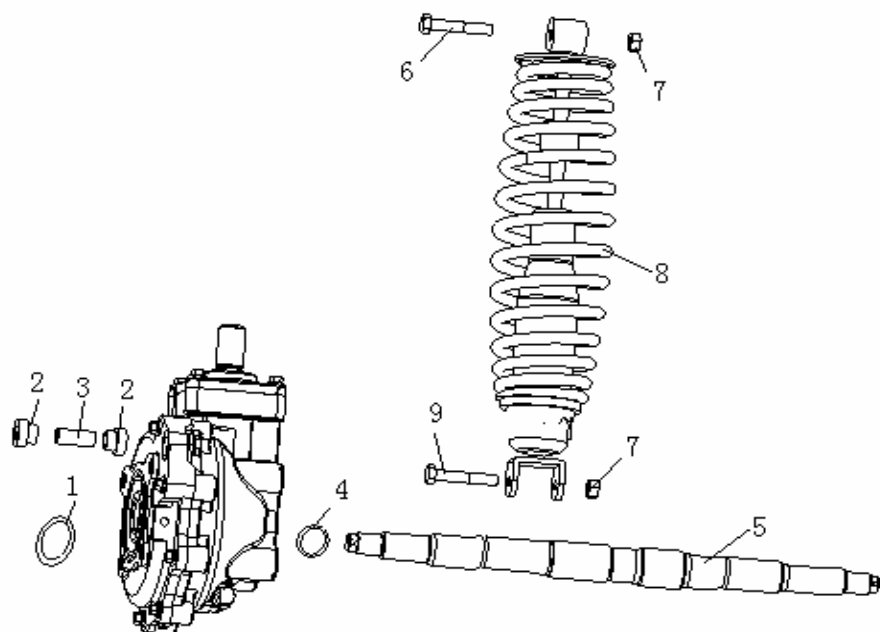
REF. No.	PART No.	DESCRIPTION
1	31010020	REAR PROPSHAFT ASSY
2	O0600200	O-RING
3	31010030	COUPLING-PROP SHAFT GREASI
4	13012010	SWINGARM ASSY
5	61010460	SKID PLATE REAR
6	13012020	PLUG
7	13012030	SEAL-SWINGARM PIVOT
8	O0500200	BRG TEPER ROLL
9	89010010	SEAL
10	13012050	SWING ARM PIVOT LEFT
11	82010030	TEREADED PIVOT
12	13012070	SWING ARM PIVOT RIGHT
13	O0400710	WASHER8
14	O0100830	BOLT M8X12
15	61010460	CAP SWINGARM PIVOT
16	31010040	ROLL PIN
17	85010010	GREASE FITTING
18	13012080	SPONGE PAD

## 7 WHEEL FRONT



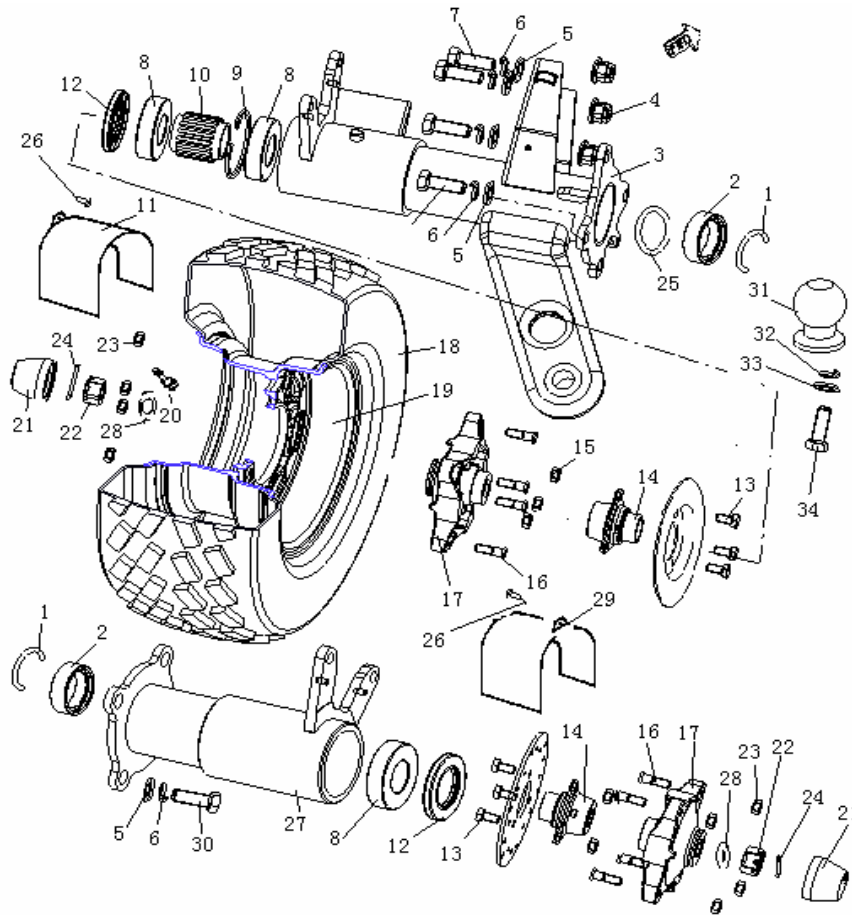
REF. No.	PART No.	DESCRIPTION
1	O0102130	BOLT M8X25
2	81010040	WHEEL STUD
	81010050	WHEEL STUD
3	41010010	HUB ASSY SHRT
4	41012010	TIRE FRONT
5	41012020	PLUG PIPE
6	O0300530	LUG NUT M10X1.25
	82010040	NUT M10X1.25
7	41012030	WHEEL FRONT
	41012040	WHEEL FRONT
8	82010050	SLOTTED NUT M16X1.5
9	O0800200	COTTER PIN
10	61010470	HUB CAP 2-LOBE AWD
11	88010020	WASHER

## 8 SHOCK ABSORBER REAR



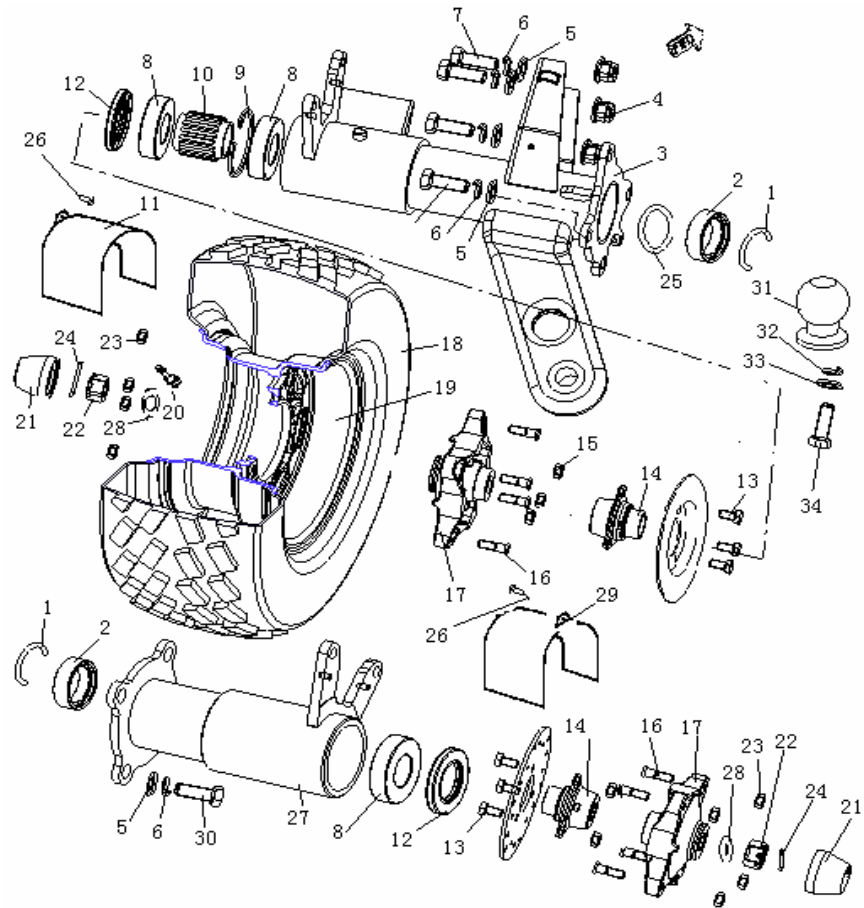
REF. No.	PART No.	DESCRIPTION
1	83010010	O-RING
2	42012010	CUSHION PAD
3	42012010	SPACER-BEARING
4	O0600300	O-RING
5	41010040	REAR AXLE
6	O0101630	BOLT M10X1.25X50
7	O0300530	NUT M10X1.25
8	42012000	SHOCK ABSORBER REAR
9	O0101730	BOLT M10X1.25X60

## 9 WHEEL REAR



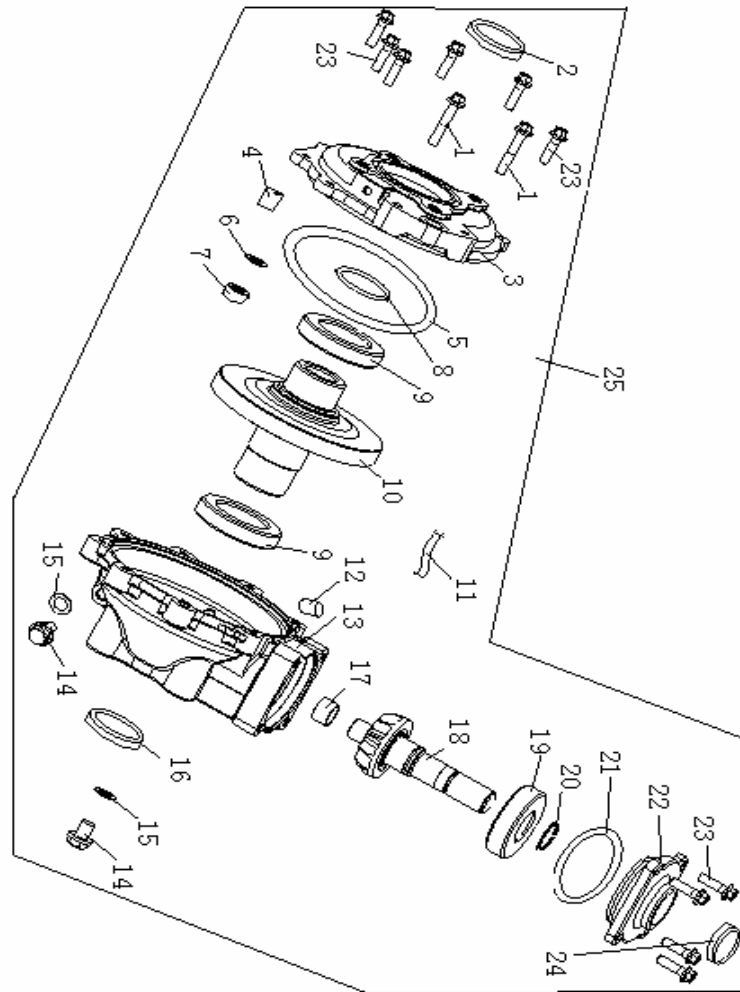
REF. No.	PART No.	DESCRIPTION
1	41010050	RING RETAINER INT
2	41010060	SPACER
3	13012090	AXLE TUBE AND HITCH ASSEMBLY
4	O0300730	NUT M12X1.75
5	O0400510	WASHER 12
6	O0400910	WASHER 12
7	O0102230	BOLT M12X30
8	O0500100	BEARING BALL DBL SEAL
9	O0401110	RING RETAINER INT
10	13012100	SPACER-BEARING
11	61010480	BRAKE HOSE COVER □ L
12	89010020	SEAL REAR AXLE
13	O0102030	BOLTS M10X1.25X20
14	41010070	HUB BRAKE DISC MACH
15	O0400930	NUT M10X1.25
16	81010040	WHEEL STUD
	81010050	WHEEL STUD
17	41010080	WHEEL HUB
18	41019010	TIRE REAR
19	41019020	WHEEL REAR
	41019030	WHEEL REAR
20	41019040	PLUG PIPE
21	41010100	HUB CAP 2-LOBE AWD
22	O03001130	NUT SLOTTED M20X2
23	O0300530	LUG NUT M10X1.25
	82010040	NUT M10X1.25

## 9 WHEEL REAR



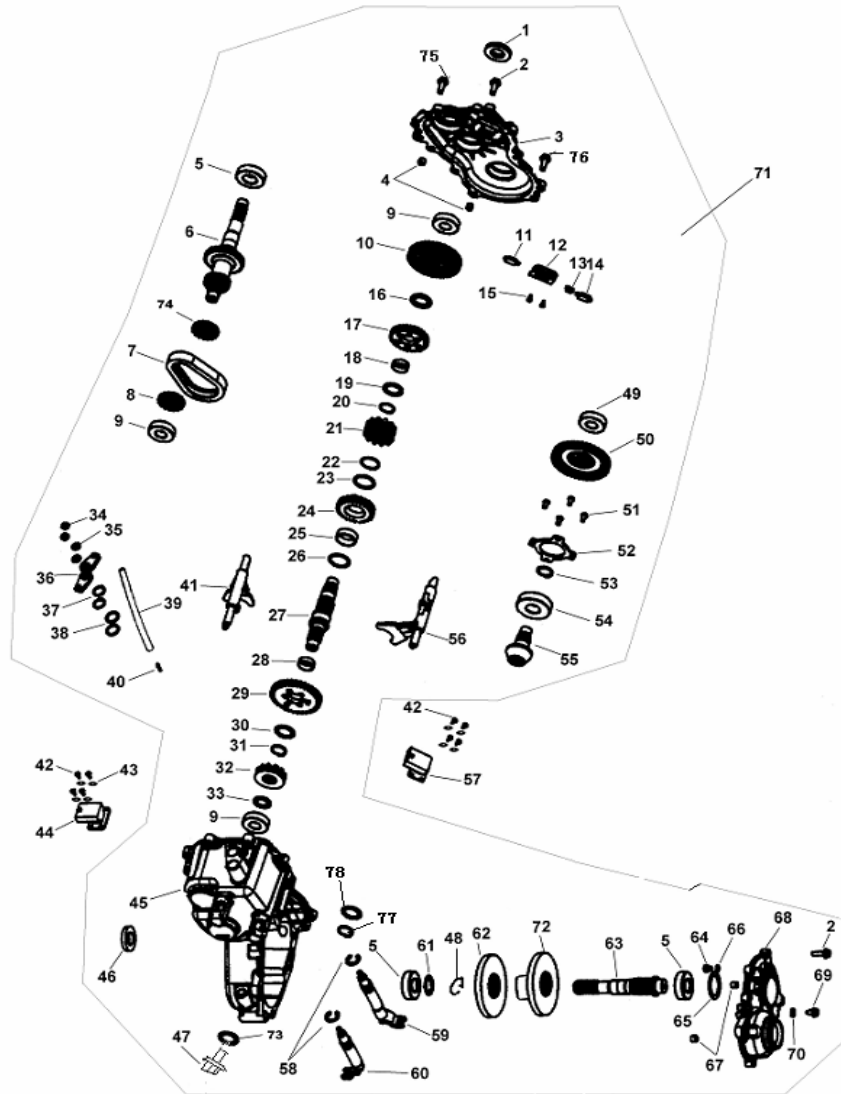
REF. No.	PART No.	DESCRIPTION
24	O0800300	COTTER PIN
25	O0600100	O-RING 25.2x3.55
26	O0200630	BOLT M5X12
27	13012110	AXLE TUBE AND HITCH ASSEMBLY
28	88010030	WASHER
29	61010490	BRAKE HOSE COVER R
30	O0102230	BOLT M12X35
31	82010060	BALL NUT
32	O0101010	WASHER 16
33	46010100	WASHER
34	O0101350	BOLT

## 10 REAR GEAR-BOX



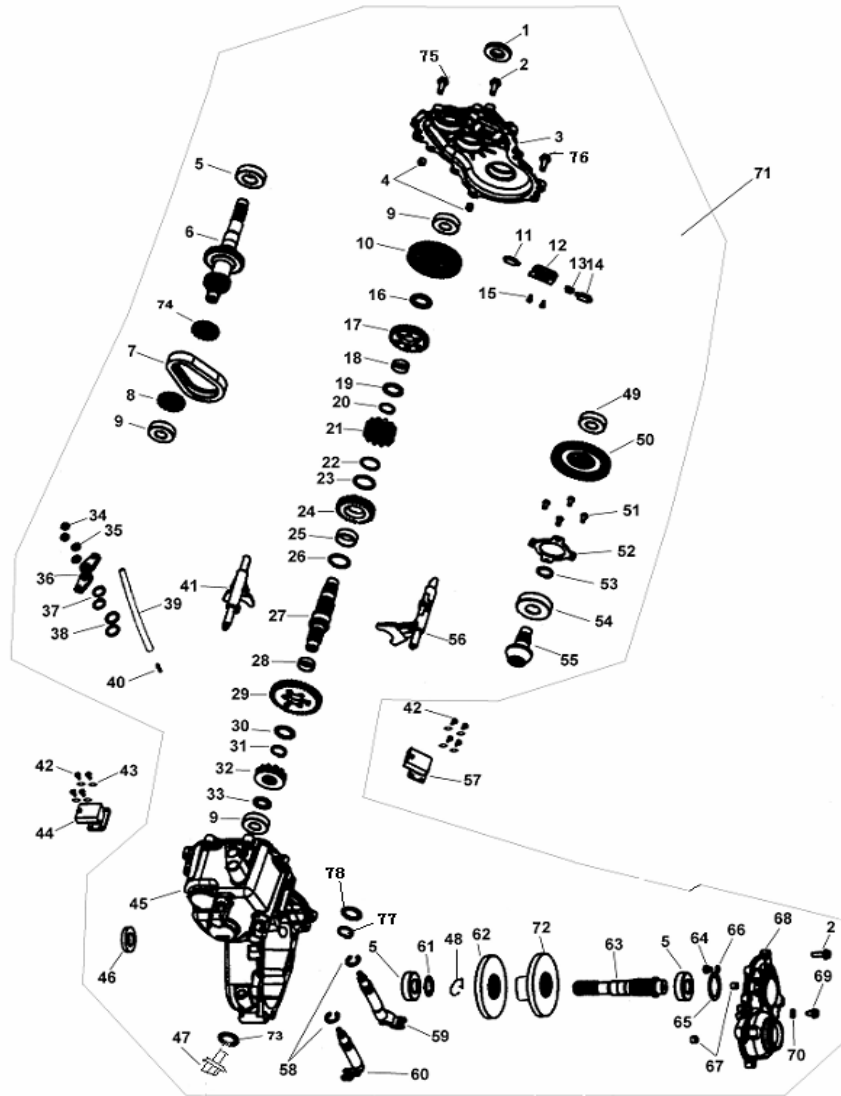
REF. No.	PART No.	DESCRIPTION
1	O0103330	BOLT M8X45
2	89010020	SEAL 50X70X8
3	33011010	OUTPUT COVER
4	32010010	DOWEL PIN
5	83010020	O-RING 176X2.65
6	88010040	SHIM
7	88010050	SHIM
8	33011040	THRUST BUTTON
9	O0500500	BEARING 110
10	33011050	RING GEAR
11	33011060	VENT
12	33011070	BEARING
13	33011080	DRIVE HOUSING
14	81010060	OIL PLUG
15	88010060	WASHER
16	89010030	SEAL 50X70X8
17	O0800600	BUSHING P23X20X15
18	33011110	PINION SHAFT
19	O0500600	BEARING 6306ST
20	87010010	RETAINER 30
21	83010030	O-RING 79X4
22	33011130	INPUT COVER
23	O0103430	BOLT M8X28
24	89010040	SEAL 25X35X5
25	33011000	REAR GEARBOX ASSY

# 11 TRANSMISSION



REF. No.	PART No.	DESCRIPTION
1	89010050	SEAL 25X47X8
2	O0103430	BOLT M8X28
3	32010040	MAIN COVER
4	32010010	DOWEL PIN
5	O0500700	BEARING 6205c3
6	32010050	INPUT SHAFT
7	32010060	CHAIN
8	32010070	GEAR 16T
9	O0500800	BEARING 6204
10	32010080	GEAR,HELICAL 35T
11	32010090	INTERLOCK PIN
12	32010100	INTERLOCK BRACKET
13	32010110	SPRING
14	32010120	INTERLOCK PIN
15	O0200630	SCREW M5X12
16	88010070	SPACER
17	32010140	GEAR 31T
18	84010010	NEEDLE BEARING 25
19	88010080	THRUST WASHER
20	O0401310	SNAP RING
21	32010170	DOG GEAR
22	O0401410	SNAP RING
23	88010090	THRUST WASHER
24	32010190	SPROCKET 24T
25	84010020	NEEDLE BEARING 32
26	88010090	THRUST WASHER
27	32010220	SHAFT

# 11 TRANSMISSION

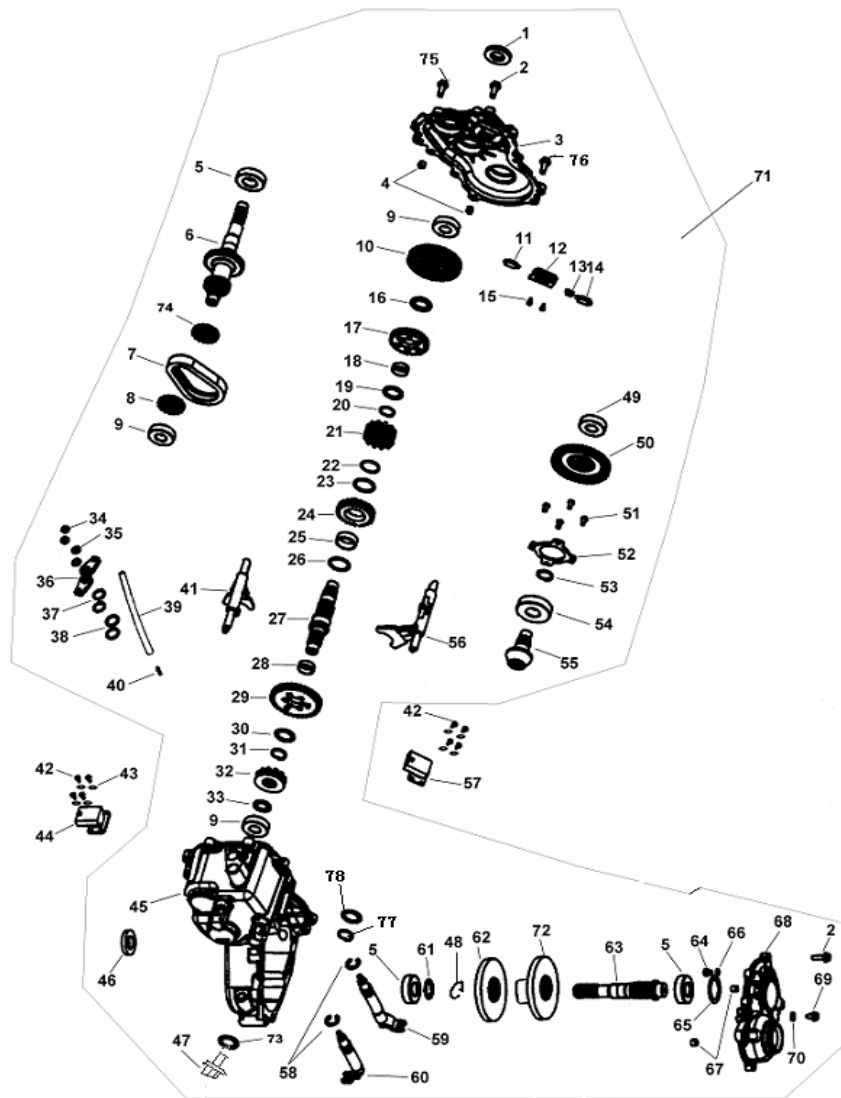


# 11 TRANSMISSION

REF. No.	PART No.	DESCRIPTION
28	84010010	NEEDLE BEARING 25
29	32010230	GEAR 35T
30	88010090	THRUST WASHER
31	O0401310	SNAP RING
32	32010250	ENGAGEMENT
33	88010100	THRST WASHER
34	O0300130	NUT M8
35	O0400310	WASHER 8
36	32010270	BELLCRANK
37	O0401510	SNAP RING
38	88010110	WASHER
39	32010290	VENT TUBE
40	32010300	VENT TUBE FITTING
41	32010310	SHIFT FORK HIGH/REVERSE
42	O0200130	SCREW M4x10
43	O0401610	WASHER 4
44	53010030	GEAR INDICATOR SWITCH
45	32010320	GEARCASE,RH
46	89010050	SEAL 25X47X8
47	81010060	BOLT
48	O0401310	SNAP RING
49	O0500900	BEARING 6204C3
50	32010340	GEAR HELICAL 46T
51	O0201330	SCREW M6X10
52	32010350	BEARING RETAINER PLATE
53	87010020	SNAP RING
54	O0501000	BEARING 6305ST

15

REF. No.	PART No.	DESCRIPTION
----------	----------	-------------

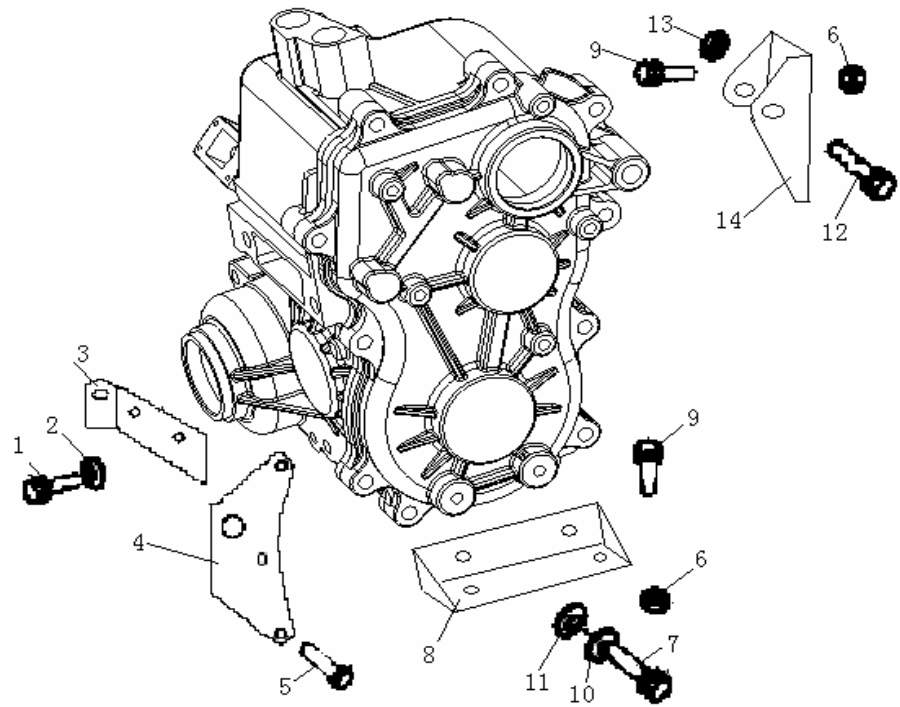


**12 SUPPORT BRACKET**

55	32010370	PINION SHAFT 10T
56	32010380	SHIFT FORK LOW
57	53010040	GEAR INDICATOR SWITCH
58	O0401510	SNAP RING
59	32010390	SHIFT ROD LOW
60	32010400	SHIFT ROD HIGH/REVERSE
61	88010120	THRUST WASHER
62	32010420	GEAR
63	32010430	SHAFT REAR OUTPUT
64	32010440	THRUST BUTTON
65	88010130	SHIM 1
66	88010050	SHIM 2
67	32010460	DOWEL PIN
68	32010470	COVER
69	32010480	DRAIN SCREW
70	88010140	WASHER B
71	32010000	TRANSMISSION ASSY
72	32010500	OIL PLATE
73	88010060	WASHER A
74	32010510	SPROCKET
75	O0103530	BOLT M8X38
76	O0103630	BOLT M8X28
77	O0600400	O-RING
78	88010110	WASHER

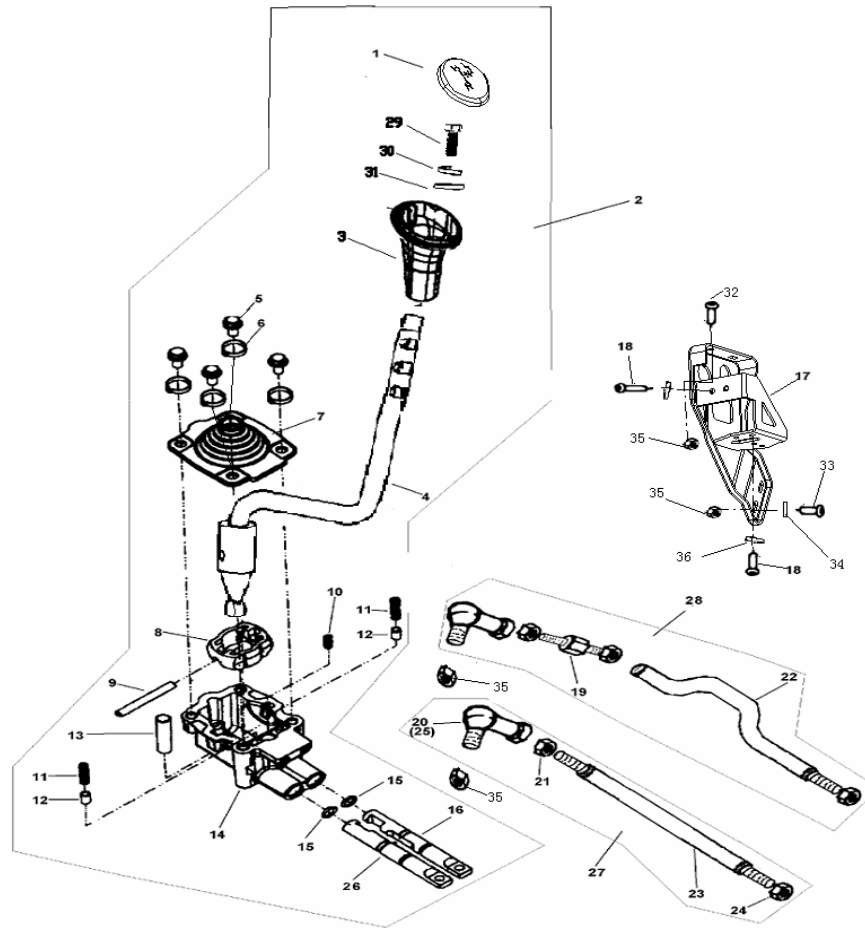
**16**

REF. No.	PART No.	DESCRIPTION
1	O0200330	BOLT M12X20



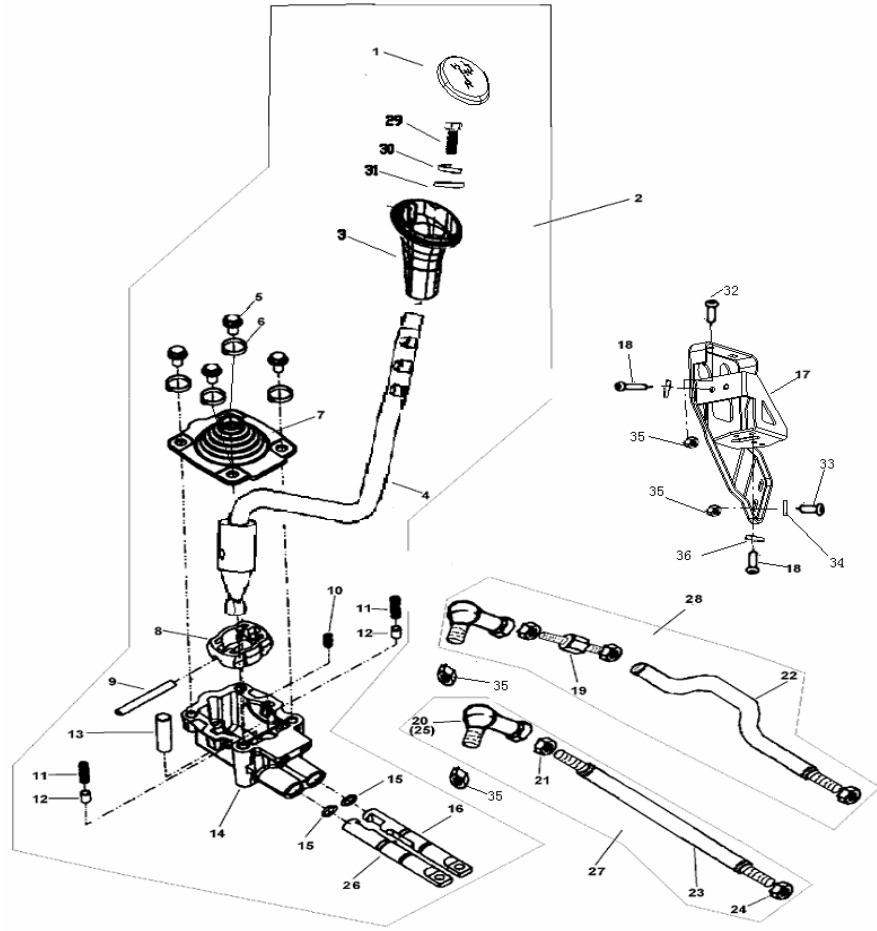
2	O0400910	WASHER 12
3	28010010	GEORBOX BRACKET RIGHT
4	28010020	GEORBOX BRACKET LEFT
5	O0101130	BOLT M8X33
6	O0300130	NUT M8
7	O0101930	BOLT M10X25
8	28010030	GEORBOX BRACKET DOWN
9	O0100930	BOLT M8X20
10	O0400810	WASHER10
11	O0400410	WASHER
12	O0102930	BOLTM10X1.25X68
13	O0300530	NUT M10
14	28010040	GEORBOX BRACKET UP

## 13 SHIFT ROD



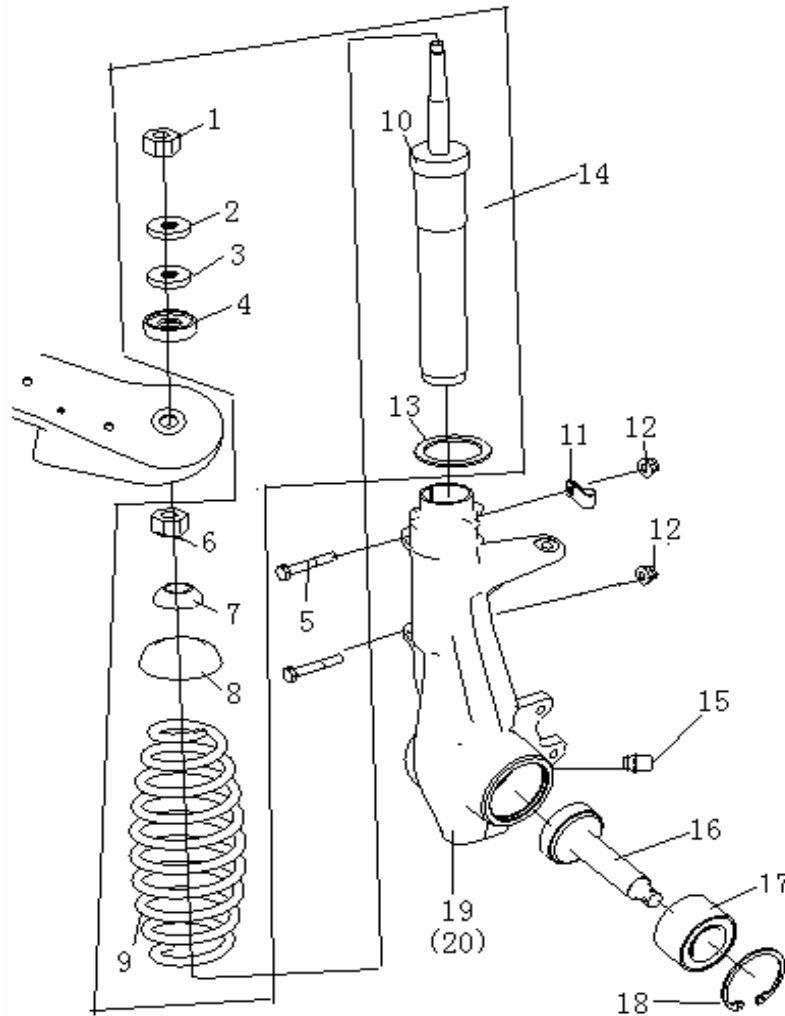
REF. No.	PART No.	DESCRIPTION
1	48011010	BOOT
2	48011000	SHIFTER ASSY MOUNTING
3	48011020	KNOB
4	48011030	SHIFT LEVER
5	O0100430	BOLT M6X15
6	O4100610	WASHER 6
7	48011040	SERUM CAP
8	48011050	IMMOBILITY ball
9	48011060	PIN
10	48011070	SMALLSPRING
11	48011080	BIG SPRING
12	48011090	DETENT PIN
13	48011100	DOWEL PIN
14	48011110	SHIFTER PEDESTAL
15	83010040	O-RING
16	48011130	SELECTOR SLIDES HIGH
17	48010020	SHIFTER MOUNTING BRACKET
18	O0100430	BOLT M6X15
19	48012010	SHIFT ROD COUPLER
20	48013010	SHIFT ROD END CW
21	O0301420	JAM NUT M6 CW
22	48010020	SHIFT ROD HIGH/REVERSE
23	48013020	SHIFT ROD LOW
24	82010070	JAM NUT M6 CCW
25	48013040	SHIFT ROD END CCW
26	48011140	SELECTOR SLIDES LOW

# 13 SHIFT ROD



REF. No.	PART No.	DESCRIPTION
27	48010030	SHIFTER MOUNTING ROD A
28	48010020	SHIFTER MOUNTING ROD B
29	O0100430	BOLT M6X15
30	O0400610	WASHER 6
31	O0400110	WASHER 6
32	O0102530	BOLT M6X40
33	O0102430	BOLT M6X35
34	O0400110	WASHER 6
35	O0300330	NUT M6
36	O0400610	WASHER 6

## 14 SHOCK ABSORBER FRONT

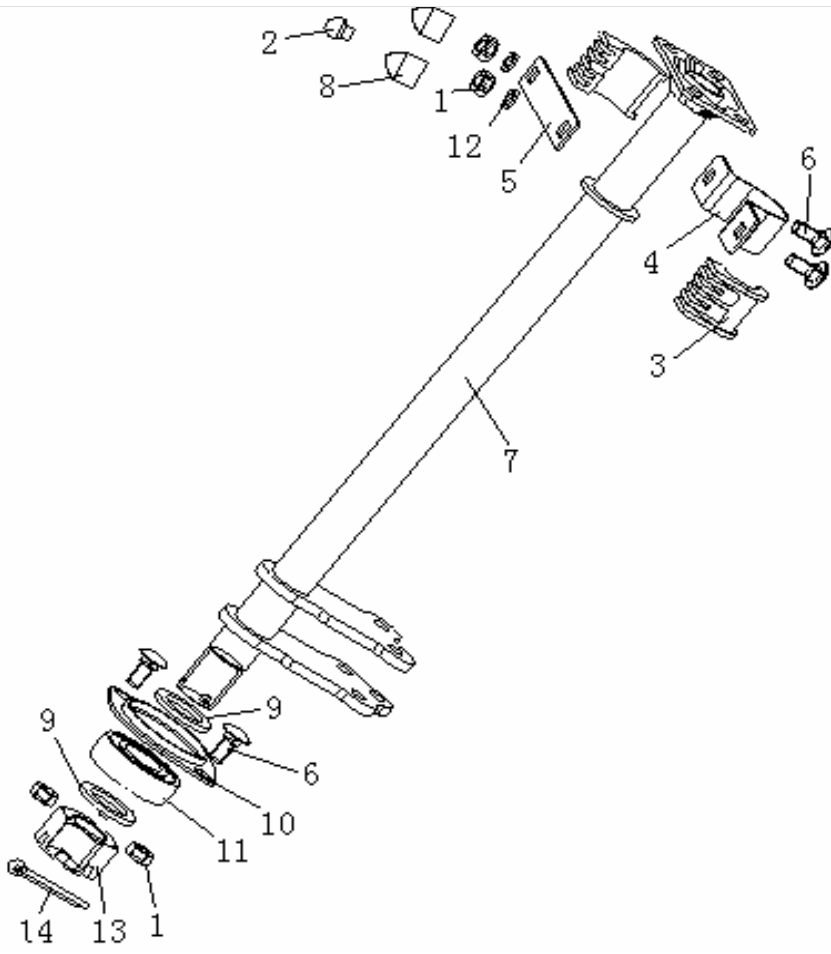


## 15 STEERING COLUMN

REF. No.	PART No.	DESCRIPTION
1	O0301530	NUT M14X1.5
2	88010150	WASHER 14
3	42011050	SPACER RUBBER
4	42011060	UPPER PIVOT BALL
5	O0102630	BOLT M8X55
6	82010080	NUT M14X1.5
7	42011080	LOWER PIVOT BALL
8	42011090	SPRING RETAINER
9	42011100	SPRING
10	42011110	STRUT BUMPER
11	43010020	CLAMP
12	O0300130	NUT M8
13	88010160	SPRING RETAINER
14	42011130	FRONT SHOCK ABSORBER
15	85010010	GREASE FITTING
16	41010110	SPINDLE BOLT
17	O0500400	BEARING
18	O0401210	CIRCLIP 65
19	42011140	STRUT BODY LEFT
20	42011150	STRUT BODY RIGHT

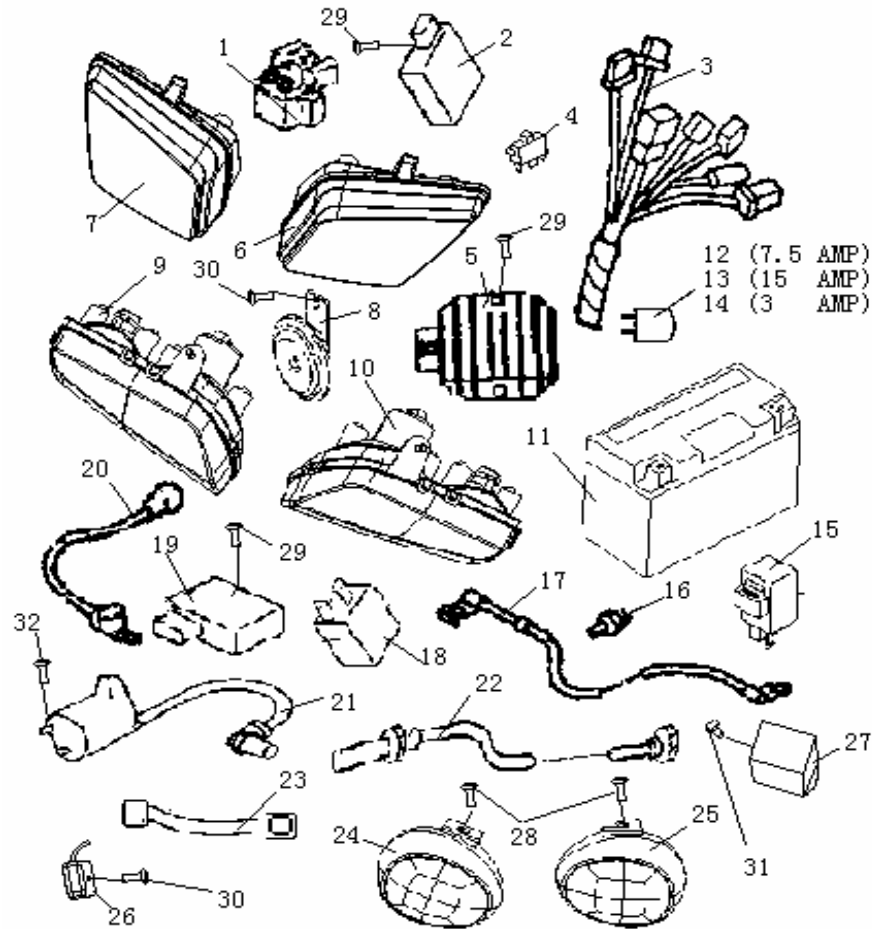
## 20

REF. No.	PART No.	DESCRIPTION
1	O0300130	NUT M8



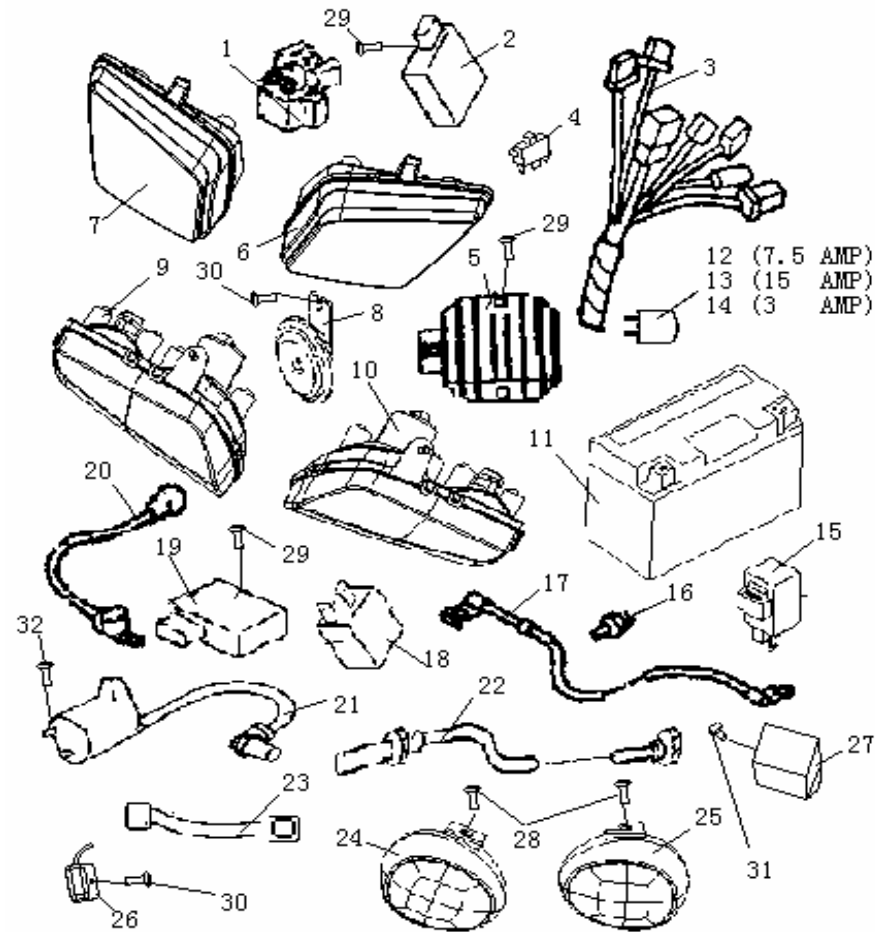
2	46010040	GREASE FITTING
3	12010010	BUSHING
4	12010020	STEERING CLAMP REAR
5	12010030	STEERING CLAMP FRONT
6	81010070	BOLT
7	12010050	STEERING COLUMN
8	12010060	CUP
9	88010160	WASHER
10	12010080	BEARING RETAINER
11	O0500300	BEARING
12	O0400710	WASHER
13	O0301230	RETAINER NUT
14	O0800400	COTTER PIN

## 16 ELECTRICAL SYSTEM



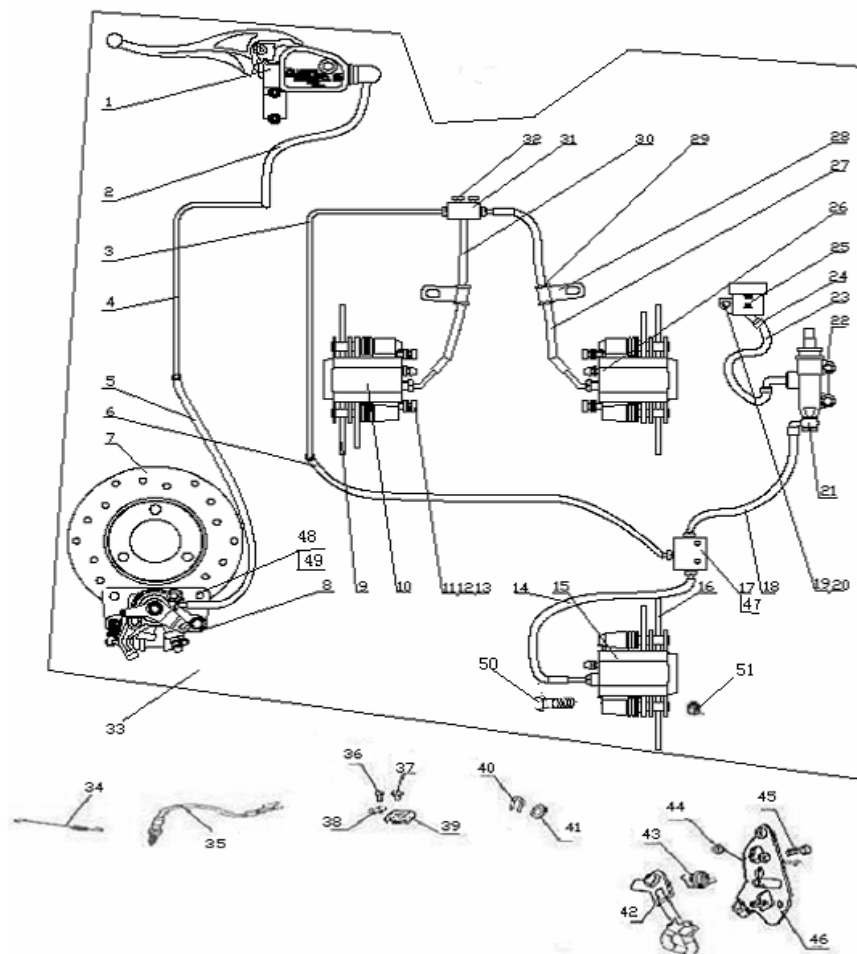
REF. No.	PART No.	DESCRIPTION
1	53010040	STARTER RELAY
2	53010050	REVERSE SPEED LIMITER
3	53010061	WIRING HARNESS
4	53010070	HAZARD LIGHT SWITCH
5	53010080	REGULATOR RECTIFIER
6	52010011	HEAD LIGHT, FR.,R
7	52010021	HEAD LIGHT, FR., L.
8	53010110	HORN
9	52010031	TAILLIGHT, L.
10	52010041	REAR LIGHT, R.
11	53010140	BATTERY
12	53010150	7.5 AMP FUSE
13	53010160	15 AMP FUSE
14	53010170	3 AMP FUSE
15	53010180	FLASHER RELAY ASSAY
16	53010190	ENGINE TEMPERTURE SENSOR
17	53010200	BATTERY CABLE GROUND
18	53010210	CAPCITOR
19	53010220	T.C.I
20	53010230	BATTERY CABLE POSITIVE
21	53010240	IGNITON COIL AND WIRE
22	53010250	GEAR SENSOR
23	61010500	BATTERY BELL
24	52010050	FRONT TURN INDICATOR RIGHT
25	52010060	FRONT TURN INDICATOR LEFT
26	53010280	RESISTANCE
27	52010070	LICENSE PLATE LIGHT

## 16 ELECTRICAL SYSTEM



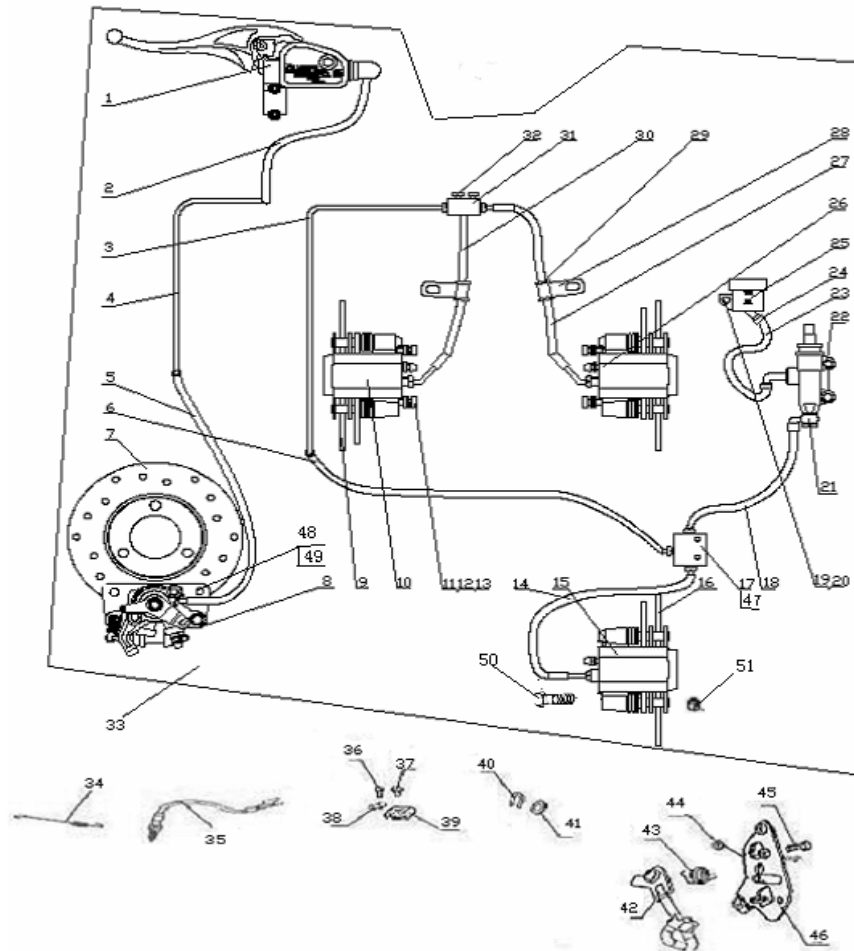
REF. No.	PART No.	DESCRIPTION
28	O0200730	BOLT M6X15
29	O0101830	BOLT M6X20
30	O0100330	BOLT M6X12
31	O0200930	BOLT ST4.2X12
32	O0200530	BOLT M6X22

## 17 BRAKING SYSTEM



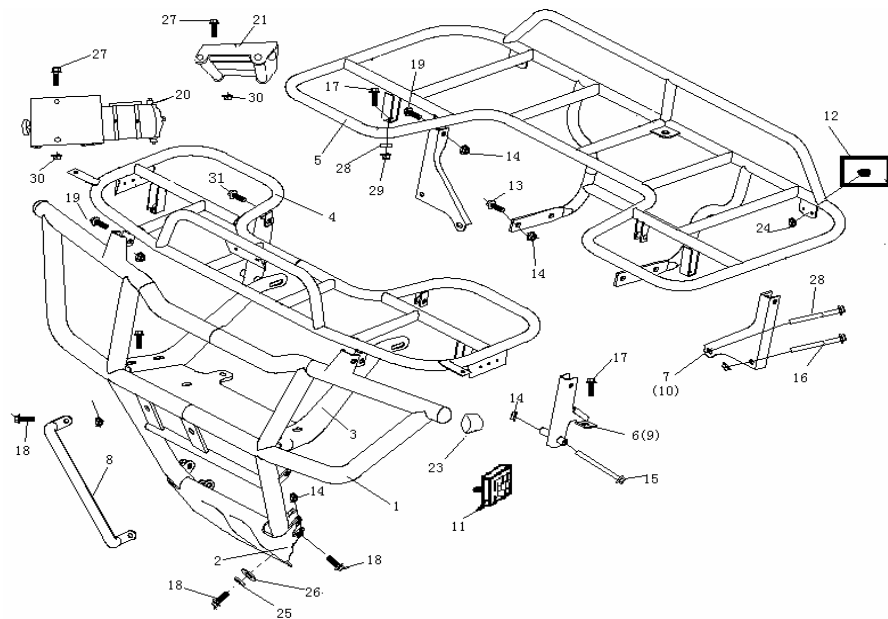
REF. No.	PART No.	DESCRIPTION
1	43013011	MAIN PUMP
2	43013021	HAND BRAKE HOSE □
3	43013030	BEHING BRAKE HOSE
4	43013031	HAND BRAKE STEEL TUBE
5	43013041	HAND BRAKE HOSE
6	43013280	FOOT BRAKE HOSE □
7	43013111	REAR DISC BRAKE LEFT
8	43013051	REAR PUMP LEFT
9	43013080	FRONT DISC BRAKE
10	43013070	BRAKE CALIPER LEFT
11	O0102130	BOLT M8X25
12	O0400710	WASHER 8
13	O0400310	WASHER 8
14	43013290	FOOT BRAKE HOSE □
15	43013100	FRONT BRAKE PUMP RIGHT
16	43013110	REAR DISC BRAKE RIGHT
17	43013300	BRAKE LINE COUPLER □
18	43013310	FOOT BRAKE HOSE □
19	O0300330	NUT M6
20	O0100630	BOLT M6X20
21	43013131	FOOT BRAKE PUMP
22	O0100630	BOLT M6X20
23	43013150	RESERVOIR HOSE
24	43013160	CLIP
25	43013170	RESERVOIR
26	43013180	BRAKE CALIPER RIGHT
27	43013190	FRONT BRAKE HOSE RIGHT

## 17 BRAKING SYSTEM



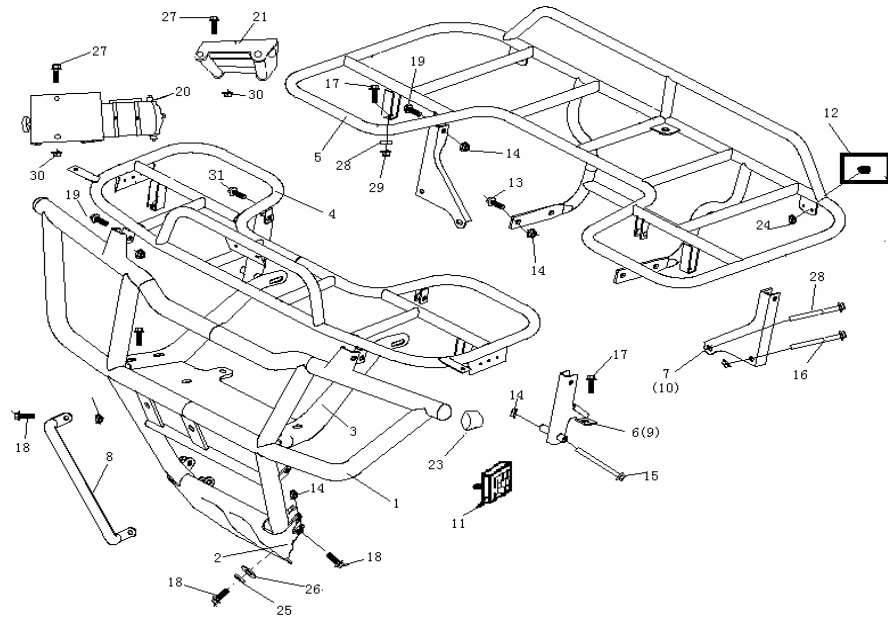
REF. No.	PART No.	DESCRIPTION
28	43013200	FIXUP HOSE CARD
29	43013210	RUBBER TUBE
30	43013220	FRONT BRAKE HOSE LEFT
31	43013320	BRAKE LINE COUPLER □
32	O0200630	BOLT M5X12
33	43010031	BRAKE ASSY
34	43010040	SPRING □ STOP SWITCH
35	43010050	STOPR SWITCH REAR
36	O0200230	SCREW M5X15
37	O0200230	SCREW M5X15
38	43010060	BRAKE LINE CLAMP SMALL
39	43010070	BRAKE LINE CLAMP LARGE
40	O4701410	RETAINER
41	46010190	WASHES
42	15010021	BRAKE PEDAL
43	15010030	RETURN SPRING
44	O0300330	NUT M6
45	O0100630	BOLT M6X20
46	15010041	FOOT BRAKE MOUNTING PLATE
47	O0200630	BOLT M5X12
48	O0102030	BOLT M10X1.25X20
49	O0400810	WASHER 10
50	O0103030	BOLT M10X1.25X83
51	O0300530	NUT M10X1.25

## 18 BUMPER & RACK



REF. No.	PART No.	DESCRIPTION
1	14010020	BUMPER
2	14010030	CONNECTIVE
3	14010040	CONNECTON BRACKET
4	14010050	FRONT FRAME
5	14010060	REAR FRAME
6	14010070	TRESTLE 2 LEFT
7	14010080	TRESTLE 3 LEFT
8	14010090	PROTECT POLE
9	14010100	TRESTLE 2 RIGHT
10	14010110	TRESTLE 3 RIGHT
11	52010080	FRONT REFLECTOR (RED)
12	52010090	REAR REFLECTOR (RED)
13	O0101230	BOLT M8X45
14	O0300130	NUT M8
15	O0101530	BOLT M8X90
16	O0101330	BOLT M8X68
17	O0100630	BOLT M6X20
18	O0100930	BOLT M8X20
19	O0101030	BOLT M8X33
20	53010090	CONNECTION
21	53010100	Lead to lead a machine
22	O0300330	NUT M6
23	61010500	RUBBER PLUG
24	O0300430	NUT M5
25	O0400310	WASHER 8

## 18 BUMPER & RACK



REF. No.	PART No.	DESCRIPTION
26	O0400710	WASHER 8
27	O0100930	BOLT M8X20
28	O0101430	BOLT M8X68
29	O0400110	WASHER 6
30	O0300130	NUT M8
31	O0101030	BOLT M8X30